

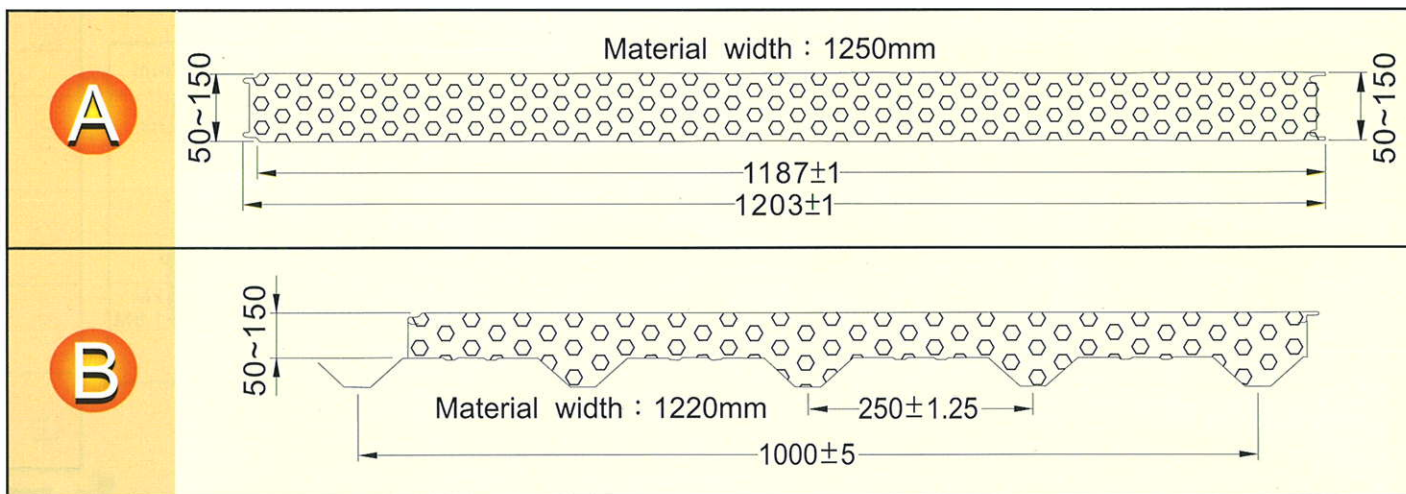
履帶式發泡生產線

PU SANDWICH PANEL LINE

Model//CHJ-A-38

此生產線可連續生產PU發泡成品，並可以調整不同厚度與寬度，是隔熱與隔冷的最佳選擇

This caterpillar type line which can produce sandwich panels with various thickness and width. It is the best products to insulate against heat and cold.



鐵板厚度 SHEET THICKNESS	0.3~0.7mm
成型速度 FORMING SPEED	1~6M PER MINUTE
發泡厚度 PU THICKNESS	50~150mm
全長X全寬 LENGTH X WIDTH	60MX5M



● Roll Forming Machine



● PU Caterpillar & Heating Device



● Finished Product

